



**UNIVERSAL PARTS**  
 RELIABLE REPLACEMENTS  
 Fort Smith, Arkansas 72917-7010

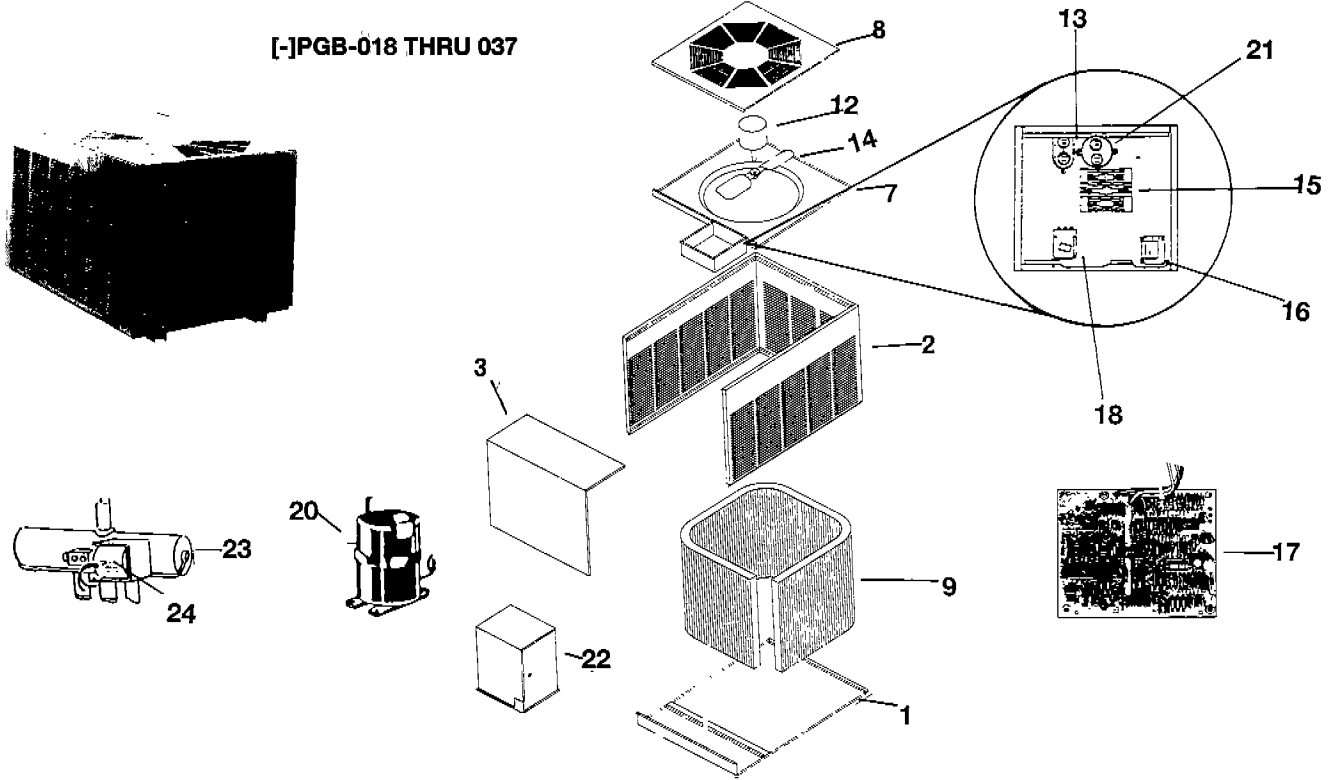
# REPLACEMENT PARTS LIST

## MODEL [-]PGB REMOTE HEAT PUMP

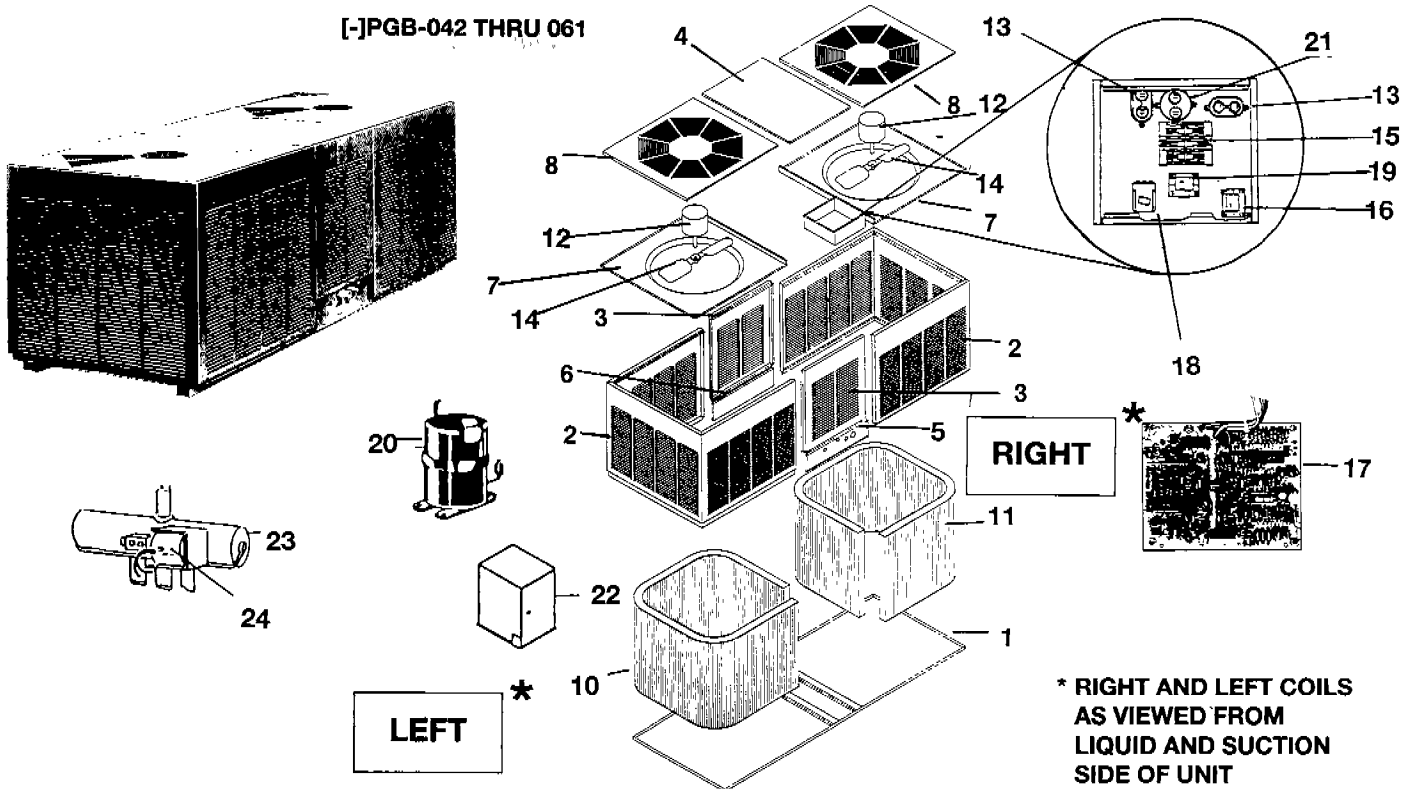
**SERIES B**

**SIZE 018 THRU 061**

[-]PGB-018 THRU 037



[-]PGB-042 THRU 061



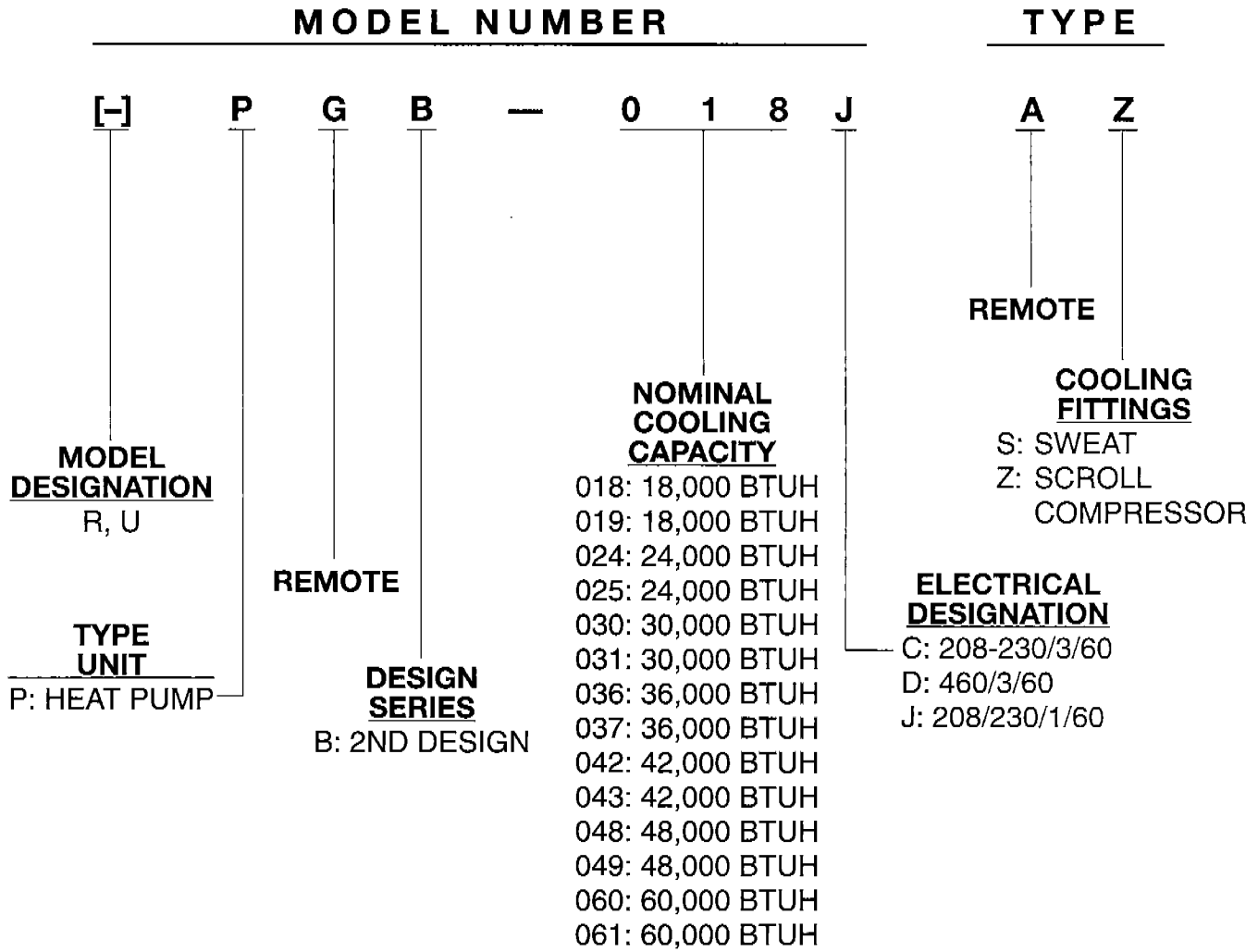
\* RIGHT AND LEFT COILS AS VIEWED FROM LIQUID AND SUCTION SIDE OF UNIT



**R/R** RELIABLE  
REPLACEMENTS  
Fort Smith, Arkansas 72917-7010

# REPLACEMENT PARTS LIST

## EXPLANATION OF MODEL NUMBER



AIR CONDITIONING DIVISIONS  
PARTS CENTER LOCATIONS  
P.O. Box 17010  
Fort Smith, AR 72917-7010  
501-646-4311

### TABLE OF CONTENTS

Panels & S/M Parts	Page 4	Reversing Valve & Solenoid Coils	Page 11
Coil Group	Page 4	Refrigeration Specialties	Page 12-13
Fan Group	Page 5	Miscellaneous	Page 12-13
Electric Group	Page 5	Accessory Control Kits	Page 13
Defrost Controls	Page 6-7	Serial Number	Page 15
Defrost Relays	Page 6-7	Notes	Page 15
Compressors	Page 8-10		



**R/R** RELIABLE REPLACEMENTS  
Fort Smith, Arkansas 72917-7010

# REPLACEMENT PARTS LIST

## MODEL [-]PGB REMOTE HEAT PUMP

**SERIES B**

**SIZE 018 THRU 061**

Item No.	Model Nominal Cooling Capacity		[-]PGB	[-]PGB	[-]PGB	[-]PGB	[-]PGB	[-]PGB	[-]PGB
			018	019	024	025	030	031	036
<b>PANELS &amp; S/M PARTS</b>									
1	Base Assembly	☞	AS-51676-07	AS-51676-07	AS-51676-07	AS-51676-07	AS-51676-07	AS-51676-07	AS-51676-07
2	Cabinet	☞	AE-56328-01	AE-56328-01	AE-56328-01	AE-56328-01	AE-56328-01	AE-56328-01	AE-56328-01
3	Access Panel	☞	AE-51592-01	AE-51592-01	AE-51592-01	AE-51592-01	AE-51592-01	AE-51592-01	AE-51592-01
7	Venturi	☞	AE-57050-01	AE-57050-01	AE-57050-01	AE-57050-01	AE-57050-01	AE-57050-01	AE-57050-02
8	Grille	☞	AS-51602-01	AS-51602-01	AS-51602-01	AS-51602-01	AS-51602-01	AS-51602-01	AS-51602-01
<b>COIL GROUP</b>									
9	Condenser Coil	☞	AS-77740-83	AS-77740-83	AS-77740-83	AS-77740-83	AS-77744-81	AS-77744-81	AS-77744-81
Item No.	Model Nominal Cooling Capacity	Notes	[-]PGB	[-]PGB	[-]PGB	[-]PGB	[-]PGB	[-]PGB	[-]PGB
			037	042	043	048	049	060	061
<b>PANELS &amp; S/M PARTS</b>									
1	Base Assembly	☞	AS-51676-07	AS-51863-04	AS-51863-04	AS-51863-04	AS-51863-04	AS-51863-04	AS-51863-04
2	Cabinet	☞	AE-56328-01	AE-52503-01	AE-52503-01	AE-52503-01	AE-52503-01	AE-52503-01	AE-52503-01
3	Access Panel	☞	AE-51592-01 QTY 1	AE-51849-01 QTY 2	AE-51849-01 QTY 2	AE-51849-01 QTY 2	AE-51849-01 QTY 2	AE-51849-01 QTY 2	AE-51849-01 QTY 2
4	Top Panel	☞	DNA	AE-71124-01	AE-71124-01	AE-71124-01	AE-71124-01	AE-71124-01	AE-71124-01
5	Connection Panel	☞	DNA	AE-57585-01	AE-57585-01	AE-57585-01	AE-57585-01	AE-57585-01	AE-57585-01
6	Filler Panel	☞	DNA	AE-51850-01	AE-51850-01	AE-51850-01	AE-51850-01	AE-51850-01	AE-51850-01
▲	Support	☞	DNA	AE-51868-01	AE-51868-01	AE-51868-01	AE-51868-01	AE-51868-01	AE-51868-01
7	Venturi	☞	AE-57050-02 QTY 1	AE-57050-01 QTY 2	AE-57050-01 QTY 2	AE-57050-01 QTY 2	AE-57050-01 QTY 2	AE-57050-01 QTY 2	AE-57050-01 QTY 2
8	Grille	☞	AS-51602-01 QTY 1	AS-51602-01 QTY 2	AS-51602-01 QTY 2	AS-51602-01 QTY 2	AS-51602-01 QTY 2	AS-51602-01 QTY 2	AS-51602-01 QTY 2
<b>COIL GROUP</b>									
9	Condenser Coil	☞	AS-77744-81						
10	Left Condenser Coil	☞		AS-77740-93	AS-77740-93	AS-77740-93	AS-77740-93	AS-77745-81	AS-77745-81
11	Right Condenser Coil	☞		AS-77740-83	AS-77740-83	AS-77740-83	AS-77740-83	AS-77745-82	AS-77745-82



**R/R** RELIABLE REPLACEMENTS  
Fort Smith, Arkansas 72917-7010

# REPLACEMENT PARTS LIST

## MODEL [-]PGB REMOTE HEAT PUMP

**SERIES B**

**SIZE 018 THRU 061**

Item No.	Model Nominal Cooling Capacity Electrical Designation	Notes	[-]PGB	[-]PGB	[-]PGB	[-]PGB	[-]PGB	[-]PGB	
			018/019	036/037	042/043	048	049	060	060
			024/025		048/061				
			030/031						
			J	J OR C	J OR C	D	J	J OR C	D
12	<b>FAN GROUP</b> Motor: 1/5 HP, 208-230 Volt, 1 Speed 1/6 HP, 460 Volt, 1 Speed	<input checked="" type="checkbox"/> 1 <input checked="" type="checkbox"/> 1	51-23055-12 QTY 1	51-23055-12 QTY 1	51-23055-12 QTY 2		51-23055-12 QTY 2	51-23055-12 QTY 2	
13	Capacitor: 3/370 MFD/Volt, Oval 5/370 MFD/Volt, Oval	<input type="checkbox"/>	43-20847-02 QTY 1	43-20847-04 QTY 1	43-20847-02 QTY 2		43-20847-02 QTY 2	43-20847-04 QTY 2	43-20847-04 QTY 2
▲ 14	Motor Mounting Bracket Fan Blade: 22" Dia., 18° Pitch, CCW, 1/2" Bore 24" Dia., 22° Pitch, CCW, 1/2" Bore	<input checked="" type="checkbox"/> <input checked="" type="checkbox"/>	AS-55306-01 70-19896-01 QTY 1	AS-55306-01 70-19897-01 QTY 1	AS-55306-01 70-19896-01 QTY 2		AS-55306-01 70-19896-01 QTY 2	AS-55306-01 70-19897-01 QTY 2	AS-55306-01 70-19896-01 QTY 2
	<b>ELECTRIC GROUP</b>								
	<b>Model</b> <b>Nominal Cooling Capacity</b> <b>Electrical Designation</b>		[-]PGB 018	[-]PGB 019 Thru 048	[-]PGB 049/061	[-]PGB 060	[-]PGB 036 Thru 060		
			J	J	J	J	C & D		
15	Contactors: 25 AMP, 1 POLE, 24 COIL VOLT 25 AMP, 2 POLE, 24 COIL VOLT 30 AMP, 3 POLE, 24 COIL VOLT 35 AMP, 1 POLE, 24 COIL VOLT 40 AMP, 3 POLE, 24 COIL VOLT	2 2 <input checked="" type="checkbox"/> <input type="checkbox"/> <input checked="" type="checkbox"/>	42-20044-02 42-20080-03	42-20044-02	42-20044-03		42-17810-83		
	<b>Model</b> <b>Nominal Cooling Capacity</b>		[-]PGB 018/024/030 036/042/048 060	[-]PGB 019/025/031 037/043/049 061					
▲ 16	Hot Gas Sensor Changeover Relay Temperature Control Switch High Pressure Control	<input type="checkbox"/> <input checked="" type="checkbox"/> <input type="checkbox"/> <input type="checkbox"/>	47-21555-01 42-19736-05 47-21400-01 47-21604-01	DNA DNA DNA 47-21604-01					



**R/R** RELIABLE REPLACEMENTS  
Fort Smith, Arkansas 72917-7010

# REPLACEMENT PARTS LIST

## MODEL [-]PGB REMOTE HEAT PUMP

**SERIES B**

**SIZE 018 THRU 061**

Item No.	Model [-]PGB	Notes	<p>FOR ALL <u>EVEN</u> NOMINAL COOLING CAPACITY MODELS (018,024,030,036,042,048,060) USE GROUPS 1 THRU 4.</p> <p>FOR ALL <u>ODD</u> NOMINAL COOLING CAPACITY MODELS (019,025,031,037,043,049,061) USE GROUP 3 ONLY.</p>			
17  18 19	<p><b>DEFROST CONTROLS AND DEFROST RELAYS - 208-230 VOLT, 24 VOLT AND 460 VOLT.</b></p>		<p>Original Production Demand Defrost Control Boards and Corresponding Defrost Relays are in Historical Order.</p> <p><b>CAUTION:</b> Before ordering repair parts, the parts involved must be inspected to identify the correct replacements. This model has been produced with various Defrost Controls and Relays. These parts <u>cannot</u> be <u>Mix-Matched</u>. Dates listed below are helpful but caution must be used to match all components involved.</p>			
<b>GROUP 1</b>						
	<p><u>Used in some of the first Initial Production Models -</u></p> <p>1. Defrost Control Board - Essex 149-480, <b>47-21517-01</b></p> <p>The defrost control box cover should have a white vinyl label with black letters which reads:</p> <p style="text-align: center;">NOTICE THIS UNIT EQUIPPED WITH A 21 VDC DEFROST RELAY COIL. CONNECT COIL LEADS ONLY TO THE 21 VDC OUTPUT ON REPLACEMENT DEFROST BOARD (149-600)</p>		<p><u>PARTS DEPARTMENT REPLACEMENT DEFROST BOARD</u></p> <p>1. <b>REPLACEMENT DEFROST BOARD -</b></p> <p>ESX 149-600, <b>47-21517-82</b></p> <p>This Board has both 21 Volt DC and 24 Volt AC Output to the Defrost Relay.</p>		<p><u>DEFROST RELAY USED WITH ORIGINAL DEFROST BOARD</u></p> <p>ESX 93-27, 42-21518-01</p>	<p><u>PARTS DEPARTMENT REPLACEMENT FOR DEFROST RELAY</u></p> <p>Use 42-21518-01</p>
<b>GROUP 2</b>						
	<p><u>Used from Initial Production to Approximately May of 1988.</u></p> <p>2. Defrost Control Board - Essex 149-600, <b>47-21517-02</b></p> <p>This Control has <b>BOTH</b> 21 Volt DC and 24 Volt AC Output to the Defrost Relay.</p>		<p><u>PARTS DEPARTMENT REPLACEMENT DEFROST BOARD</u></p> <p>2. <b>REPLACEMENT DEFROST BOARD -</b></p> <p>ESX 149-600, <b>47-21517-82</b></p> <p>This Control has <b>BOTH</b> 21 Volt DC and 24 Volt AC Output to the Defrost Relay.</p>		<p><u>DEFROST RELAY USED WITH ORIGINAL DEFROST BOARD</u></p> <p>ESX 93-232264-28027R, <b>42-21786-01</b>            ESX 93-232266-28027R, <b>42-21786-02</b>            P &amp; B KU93-90039-1, <b>42-21786-05</b></p> <p>With 460 Volt Models ADD, H/W R8222B1182, <b>42-19736-02</b></p>	<p><u>PARTS DEPARTMENT REPLACEMENT FOR DEFROST RELAY</u></p> <p>Use 42-21786-05            Use 42-21786-05            Use 42-21786-05</p> <p>With 460 Volt Models ADD: Use 42-19736-02</p>



**R/R** RELIABLE REPLACEMENTS  
Fort Smith, Arkansas 72917-7010

# REPLACEMENT PARTS LIST

## MODEL [-]PGB REMOTE HEAT PUMP

**SERIES B**

**SIZE 018 THRU 061**

Item No.	Model [-]PGB	Notes	<p>FOR ALL <b>EVEN</b> NOMINAL COOLING CAPACITY MODELS (018,024,030,036,042, 048,060) USE GROUPS 1 THRU 4.</p> <p>FOR ALL <b>ODD</b> NOMINAL COOLING CAPACITY MODELS (019,025,031,037,043,049,061) USE GROUP 3 ONLY.</p>			
17 18 19	<p><b>DEFROST CONTROLS AND DEFROST RELAYS - 208-230 VOLT, 24 VOLT AND 460 VOLT.</b></p>		<p>Original Production Demand Defrost Control Boards and Corresponding Defrost Relays are in Historical Order.</p> <p><b>CAUTION:</b> Before ordering repair parts, the parts involved must be inspected to identify the correct replacements. This model has been produced with various Defrost Controls and Relays. These parts cannot be Mix-Matched. The Dates listed below are helpful but caution must be used to match all components involved.</p>			
<b>GROUP 4</b>						
	<p><u>Used from Approximately May of 1988 to April 1, 1990.</u></p> <p><u>After 1400 Models were produced in April of 1990 with 47-21517-06 (Group 4).</u></p> <p><u>Production returned to the 47-21517-03 and is presently using it.</u></p> <p>3. Demand Defrost - RNO DD-032001-000,47-21517-03</p> <p>This Control has 24 Volt AC Output to the Defrost Relay.</p>		<p><b>PARTS DEPARTMENT REPLACEMENT DEFROST BOARD</b></p> <p><b>3. REPLACEMENT DEFROST BOARD -</b></p> <p>RNO DD-032001-000, 42-21517-03</p> <p>This Control has 24 Volt AC Output to the Defrost Relay.</p>		<p><b>DEFROST RELAY USED WITH ORIGINAL BOARD</b></p> <p><b>Group A:</b> Used from Approximately Mid 1988 thru Mid 1989.</p> <p>ESX 93-232264-28027R, 42-21786-01 ESX 93-232266-28027R, 42-21786-02 P &amp; B KU93-90039-1, 42-21786-05</p> <p>With 460 Volt Models ADD, H/W R8222B1182, 42-19736-02</p> <p><b>Group B:</b> Used from Approximately Mid 1989 to Present</p> <p>PU 9100-262Q03, 42-21579-06</p>	<p><b>PARTS DEPARTMENT REPLACEMENT FOR DEFROST RELAY</b></p> <p><b>Group A:</b> Used from Approximately Mid 1988 thru Mid 1989.</p> <p>Use 47-21786-05 Use 47-21786-05 Use 47-21786-05</p> <p>With 460 Volt Models ADD: Use 42-19736-02</p> <p><b>Group B:</b> Used from Approximately Mid 1989 to Present</p> <p>Use 42-21579-06</p>
<b>GROUP 4</b>						
	<p><u>April 1, 1990 1400 units were produced with this Defrost Control Board. Production then returned to the previous Defrost Control Board 47-21517-03 (Group 3).</u></p> <p>4. Defrost Control Board - HSC 149-801,47-21517-06</p> <p>This Board has <b>BOTH</b> 21 Volt DC or 24 Volt AC Output to the Defrost Relay.</p>		<p><b>PARTS DEPARTMENT REPLACEMENT DEFROST BOARD</b></p> <p><b>4. REPLACEMENT DEFROST BOARD -</b></p> <p>HSC 149-801,47-21517-06</p> <p>This Board has <b>BOTH</b> 21 Volt DC or 24 Volt AC Output to the Defrost Relay.</p>		<p><b>DEFROST RELAY USED WITH ORIGINAL DEFROST BOARD</b></p> <p>PU 9100-262Q03, 42-21579-06</p>	<p><b>PARTS DEPARTMENT REPLACEMENT FOR DEFROST RELAY</b></p> <p>Use 42-21579-06</p>



# REPLACEMENT PARTS LIST

## MODEL [-]PGB REMOTE HEAT PUMP

**SERIES B**

**SIZE 018 THRU 061**

Fort Smith, Arkansas 72917-7010

Item No.	Model Nominal Cooling Capacity Electrical Designation	Notes	[-]PGB	[-]PGB	[-]PGB	[-]PGB	[-]PGB	[-]PGB
			018	019	024	025	030	031
			J	J	J	J	J	J
<b>COMPRESSOR GROUP -</b>			" VERIFY COMPRESSOR IDENTIFICATION CODE BEFORE ORDERING "					
<p>THE ORIGINAL COMPRESSORS LISTED ARE THE PRIMARY PARTS USED IN THESE UNITS. OTHER COMPRESSORS MAY SOMETIMES BE USED. THE REPLACEMENT COMPRESSORS LISTED SHOULD BE USED TO REPLACE THESE ORIGINAL COMPRESSORS. IF YOUR UNIT HAS A DIFFERENT COMPRESSOR, REFER TO YOUR COMPRESSOR STANDARDIZATION MANUAL AND COMPRESSOR ID SHEETS.</p>								
<b>ORIGINAL COMPRESSOR (AT TIME OF PUBLICATION)</b>								
20	Compressor	☉	55-21379-28	55-21737-10	55-21379-29	55-21737-07	55-21924-29	55-21737-04
21	Run Capacitor:							
	25/370 MFD/Volts, Round	☐	43-21298-19	43-21298-19	43-21298-19			
	30/370 MFD/Volts, Round	☐				43-21298-36		
	35/370 MFD/Volts, Round	☐					43-21298-20	43-21298-20
▲	Factory Installed:							
	Start Relay	☐	42-18282-02	NOT REQ.	42-18282-02	NOT REQ.	42-18282-02	NOT REQ.
	Start Capacitor	☐	43-17075-04	NOT REQ.	43-17075-04	NOT REQ.	43-17075-04	NOT REQ.
▲	Start Kit :							
	Start Relay	☐	SK-A6-1	NOT REQ.	SK-A1-1	NOT REQ.	SK-A1-1	NOT REQ.
	Start Capacitor	☐	42-18282-09		42-18282-09		42-18282-09	
	Start Relay	☐	43-17075-02		43-17075-04		43-17075-04	
▲	Discharge Temperature							
	Thermostat Switch	☑	DNA	47-21809-81	DNA	47-21809-81	DNA	47-21809-81
▲	Compressor Time Delay Relay	☐	42-22756-01	42-22756-02	42-22756-01	42-22756-02	42-22756-01	42-22756-02
22	Sound Enclosure	☎	AS-54686-04	AS-54686-04	AS-54686-04	AS-54686-04	AS-54686-04	AS-54686-04
<b>REPLACEMENT COMPRESSOR (AT TIME OF PUBLICATION)</b>								
20	Compressor	✓	55-21379-28	55-21737-10	55-21379-29	55-21737-07	55-21924-29	55-21737-04
21	Run Capacitor:							
	25/370 MFD/Volts, Round	☐	43-21298-19	43-21298-19	43-21298-19			
	30/370 MFD/Volts, Round	☐				43-21298-36		
	35/370 MFD/Volts, Round	☐					43-21298-20	43-21298-20
▲	Start Kit :							
	Start Relay	☐	SK-A6-1	NOT REQ.	SK-A1-1	NOT REQ.	SK-A1-1	NOT REQ.
	Start Capacitor	☐	42-18282-09		42-18282-09		42-18282-09	
	Start Relay	☐	43-17075-02		43-17075-04		43-17075-04	
▲	Discharge Temperature							
	Thermostat Switch	☑	DNA	47-21809-81	DNA	47-21809-81	DNA	47-21809-81
▲	Compressor Time Delay Relay	☐	42-22756-01	42-22756-02	42-22756-01	42-22756-02	42-22756-01	42-22756-02
22	Sound Enclosure	☎	AS-54686-04	AS-54686-04	AS-54686-04	AS-54686-04	AS-54686-04	AS-54686-04



**R/R** RELIABLE REPLACEMENTS  
Fort Smith, Arkansas 72917-7010

# REPLACEMENT PARTS LIST

## MODEL [-]PGB REMOTE HEAT PUMP

**SERIES B**

**SIZE 018 THRU 061**

Item No.	Model Nominal Cooling Capacity Electrical Designation	Notes	[-]PGB	[-]PGB	[-]PGB	[-]PGB	[-]PGB	[-]PGB	[-]PGB
			036	036	037	042	042	043	048
			J	C	J	J	C	J	J
<b>COMPRESSOR GROUP -</b>			" VERIFY COMPRESSOR IDENTIFICATION CODE BEFORE ORDERING "						
<small>PLEASE NOTE: THE ORIGINAL COMPRESSOR IS SHOWN IN THESE UNITS. OTHER COMPRESSORS MAY SOME TIMES BE USED. THE ORIGINAL COMPRESSOR IS SHOWN IN THESE UNITS. OTHER COMPRESSORS MAY SOME TIMES BE USED. THE ORIGINAL COMPRESSOR IS SHOWN IN THESE UNITS. OTHER COMPRESSORS MAY SOME TIMES BE USED.</small>									
<b>ORIGINAL COMPRESSOR (AT TIME OF PUBLICATION)</b>									
20	Compressor	<input checked="" type="checkbox"/>	55-20892-56	55-20892-90	55-21737-05	55-20892-65	55-20892-68	55-21737-06	55-20892-70
21	Run Capacitor:			DNA			DNA		
	35/440 MFD/Volt, Round	<input type="checkbox"/>			43-21298-22	43-21298-22		43-21298-22	
	40/370 MFD/Volt, Round	<input type="checkbox"/>	43-21298-28						
	40/440 MFD/Volt, Round	<input type="checkbox"/>							43-21298-25
▲	Factory Installed:								
	Start Relay	<input checked="" type="checkbox"/>	42-18282-11	DNA	NOT REQ.	42-18528-03	DNA	NOT REQ.	42-18282-19
	Start Capacitor	<input type="checkbox"/>	43-17075-03	DNA	NOT REQ.	43-17075-03	DNA	NOT REQ.	43-17075-03
▲	Start Kit :	<input type="checkbox"/>	SK-B2-1	DNA	NOT REQ.	SK-C3-1	DNA	NOT REQ.	SK-D3-1
	Start Relay	<input type="checkbox"/>	42-18282-11			42-18282-15			42-18282-19
	Start Capacitor	<input type="checkbox"/>	43-17075-03			43-17075-05			43-17075-05
▲	Discharge Temperature								
	Thermostat Switch	<input checked="" type="checkbox"/>	DNA	DNA	47-21809-81	DNA	DNA	47-21809-81	DNA
▲	Compressor Time Delay Relay	<input type="checkbox"/>	42-22756-01	42-22756-01	42-22756-02	42-22756-01	42-22756-01	42-22756-02	42-22756-01
22	Sound Enclosure	<input checked="" type="checkbox"/>	AS-54686-04	AS-54686-04	AS-54686-04	AS-54686-04	AS-54686-04	AS-54686-04	AS-54686-04
<b>REPLACEMENT COMPRESSOR (AT TIME OF PUBLICATION)</b>									
20	Compressor	<input checked="" type="checkbox"/>	55-20892-56	55-21471-22	55-21737-05	55-20892-65	55-21471-08	55-21737-06	55-20892-70
21	Run Capacitor			DNA			DNA		
	35/440 MFD/Volt, Round	<input type="checkbox"/>			43-21298-22	43-21298-22		43-21298-22	
	40/370 MFD/Volt, Round	<input type="checkbox"/>	43-21298-28						
	40/440 MFD/Volt, Round	<input type="checkbox"/>							43-21298-25
▲	Start Kit :	<input type="checkbox"/>	SK-B2-1	DNA	NOT REQ.	SK-C3-1	DNA	NOT REQ.	SK-D3-1
	Start Relay	<input type="checkbox"/>	42-18282-11			42-18282-15			42-18282-19
	Start Capacitor	<input type="checkbox"/>	43-17075-03			43-17075-05			43-17075-05
▲	Discharge Temperature								
	Thermostat Switch	<input checked="" type="checkbox"/>	DNA	DNA	47-21809-81	DNA	DNA	47-21809-81	DNA
▲	Compressor Time Delay Relay	<input type="checkbox"/>	42-22756-01	42-22756-01	42-22756-02	42-22756-01	42-22756-01	42-22756-02	42-22756-01
22	Sound Enclosure	<input checked="" type="checkbox"/>	AS-54686-04	AS-54686-04	AS-54686-04	AS-54686-04	AS-54686-04	AS-54686-04	AS-54686-04





**R/R** RELIABLE REPLACEMENTS  
Fort Smith, Arkansas 72917-7010

# REPLACEMENT PARTS LIST

## MODEL [-]PGB REMOTE HEAT PUMP

**SERIES B**

**SIZE 018 THRU 061**

Item No.	Model Nominal Cooling Capacity Electrical Designation	Notes	[-]PGB	[-]PGB	[-]PGB	[-]PGB	[-]PGB	[-]PGB	[-]PGB
			048	048	049	060	060	060	061
			C	D	J	J	C	D	J
<b>COMPRESSOR GROUP -</b>			" VERIFY COMPRESSOR IDENTIFICATION CODE BEFORE ORDERING "						
<p><small>THE ORIGINAL COMPRESSORS LISTED ARE THE PRIMARY PARTS. THE LISTING OF REPLACEMENT COMPRESSORS IS FOR INFORMATION ONLY. SOMETIMES THE REPLACEMENT COMPRESSORS LISTED SHOULD BE USED TO REPLACE THE ORIGINAL COMPRESSOR. REFER TO YOUR COMPRESSOR STANDARDIZATION CHART FOR COMPRESSOR IDENTIFICATION CODES.</small></p>									
<b>ORIGINAL COMPRESSOR (AT TIME OF PUBLICATION)</b>									
20	Compressor	☉	55-20892-74	55-20892-73	55-21737-11	55-21924-16	55-21924-17	55-21924-18	55-21737-08
21	Run Capacitor:		DNA	DNA			DNA	DNA	
	40/440 MFD/Volt, Round	☐			43-21298-25				43-21298-25
	45/440 MFD/Volt, Round	☐				43-21298-28			
▲	Factory Installed:								
	Start Relay	☐✓	DNA	DNA	NOT REQ.	42-18528-10	DNA	DNA	NOT REQ.
	Start Capacitor	☐	DNA	DNA	NOT REQ.	43-17075-03	DNA	DNA	NOT REQ.
▲	Start Kit :	☐	DNA	DNA	NOT REQ.	SK-D2-1	DNA	DNA	NOT REQ.
	Start Relay	☐				42-18282-19			
	Start Capacitor	☐				43-17075-03			
▲	Discharge Temperature								
	Thermostat Switch		DNA	DNA	DNA	DNA	DNA	DNA	DNA
▲	Compressor Time Delay Relay	☐	42-22756-01	42-22756-01	42-22756-02	42-22756-01	42-22756-01	42-22756-01	42-22756-02
22	Sound Enclosure	☐	AS-54686-04	AS-54686-04	AS-54686-04	AS-54686-04	AS-54686-04	AS-54686-04	AS-54686-04
<b>REPLACEMENT COMPRESSOR (AT TIME OF PUBLICATION)</b>									
20	Compressor	✓	55-20892-74	55-21924-31	55-21737-11	55-21924-19	55-22319-27	55-22319-28	55-21737-08
21	Run Capacitor:		DNA	DNA			DNA	DNA	
	40/440 MFD/Volt, Round	☐			43-21298-25				43-21298-25
	45/440 MFD/Volt, Round	☐				43-21298-28			
▲	Start Kit :	☐	DNA	DNA	NOT REQ.	SK-C2-1	DNA	DNA	NOT REQ.
	Start Relay	☐				42-18282-15			
	Start Capacitor	☐				43-17075-03			
▲	Discharge Temperature								
	Thermostat Switch		DNA	DNA	DNA	DNA	DNA	DNA	DNA
▲	Compressor Time Delay Relay	☐	42-22756-01	42-22756-01	42-22756-02	42-22756-01	42-22756-01	42-22756-01	42-22756-02
22	Sound Enclosure	☐	AS-54686-04	AS-54686-04	AS-54686-04	AS-54686-04	AS-54686-04	AS-54686-04	AS-54686-04



**R/R** RELIABLE  
REPLACEMENTS  
Fort Smith, Arkansas 72917-7010

# REPLACEMENT PARTS LIST

## MODEL [-]PGB REMOTE HEAT PUMP

**SERIES B**

**SIZE 018 THRU 061**

Item No.	Part Description	Notes	[-]PGB	[-]PGB	[-]PGB	[-]PGB	[-]PGB	[-]PGB	[-]PGB
			018	024	019/025	030/036	031/037	042/048/060	043/049/061
<b>REVERSING VALVE AND SOLENOID COILS</b>									
<b>GROUP 1:</b>									
<b>FROM INITIAL PRODUCTION TO Mid 1990</b>									
23	ALCO Reversing Valves:								
	ACO-401RD-2F35	†, 3	61-20649-03		DNA			DNA	DNA
	ACO-401RD-3F45	†, 3		61-20649-08	DNA			DNA	DNA
	ACO-401RD-6F46	†, 3			DNA	61-20649-01		DNA	DNA
	ACO-401RD-10F47	†, 3			DNA			DNA	61-20649-02
24	ALCO Solenoid Coils:								
	AMF 208/240-50/60								
	(208-230 Volt Models)	†, 3	61-20649-04	61-20649-04	DNA	61-20649-04	DNA	61-20649-04	DNA
	AMF 480-50/60								
	(460 Volt Models)	†, 3	DNA	DNA	DNA	DNA	DNA	61-20649-05	DNA
23	RANCO Reversing Valves:								
	V26-141-40	<input type="checkbox"/>	61-19446-01	61-19446-01	DNA			DNA	DNA
	V38-C1003-40	<input type="checkbox"/>		61-20887-01	DNA			DNA	DNA
	V30-2101-41	<input type="checkbox"/>			DNA	61-18573-81		DNA	DNA
	V25-2500-43	<input type="checkbox"/>			DNA			DNA	61-18574-81
24	RANCO Solenoid Coils:								
	L27-2001-043								
	(208-230 Volt Sizes)	<input type="checkbox"/>	61-17286-01	61-17286-01	DNA	61-17286-01	DNA	61-17286-01	DNA
	L27-GF480A0-121								
	(460 Volt Sizes)	<input type="checkbox"/>	DNA	DNA	DNA	DNA	DNA	61-17286-02	DNA
	L27-2003-RH								
	(24 Volt - All Sizes)	<input type="checkbox"/>	61-17286-04	61-17286-04	DNA	61-17286-04	DNA	61-17286-04	DNA
<b>GROUP 2:</b>									
<b>From Mid 1990 to Present</b>									
23	RANCO REVERSING VALVES:								
	V2-31006	<input type="checkbox"/>	61-22880-81	61-22880-81	61-22880-81				
	V6-31208	<input type="checkbox"/>				61-22880-82	61-22880-82		
	V10-31408	<input type="checkbox"/>						61-22880-83	61-22880-83
▲	RANCO WIRING HARNESS:								
	W29-014801-ORH	<input type="checkbox"/>	61-22882-01	61-22882-01	61-22882-01	61-22882-01	61-22882-01	61-22882-01	61-22882-01
24	RANCO SOLENOID COIL:								
	L30-120000-ORH -								
	(24 Volt - All Sizes)	<input type="checkbox"/>	61-22883-01	61-22883-01	61-22883-01	61-22883-01	61-22883-01	61-22883-01	61-22883-01



**R/R** RELIABLE REPLACEMENTS  
Fort Smith, Arkansas 72917-7010

# REPLACEMENT PARTS LIST

## MODEL [-]PGB REMOTE HEAT PUMP

**SERIES B**

**SIZE 018 THRU 061**

Item No.	Model Nominal Cooling Capacity Electrical Designation	Notes	[-]PGB	[-]PGB	[-]PGB	[-]PGB	[-]PGB	[-]PGB	
			018	019	024	025	030	031	
			J	J	J	J	J	J	
	<b>REFRIGERATION SPECIALITIES AND MISCELLANEOUS</b>								
▲	Accumulator - Vendor Number, Overall Length and Diameter.								
	<b>(BOLD) IDENTIFIES THE CURRENT ACCUMULATOR FOR THIS MODEL SIZE AT TIME OF PUBLICATION.</b>								
	PKR PA410-6-6, 10-3/4" X 4"	<input type="checkbox"/> ✓	83-22272-93		83-22272-93				
	PKR PA510-7-7, 11" X 5"	<input type="checkbox"/> ✓					83-22272-94		
	PKR 089184-00, 11-1/3" X 5"	<input type="checkbox"/> ✓					<b>83-22459-07</b>	<b>83-22459-07</b>	
	VIR VA34-5SR, 14-1/4" X 3"	<input type="checkbox"/> ✓	<b>83-22537-73</b>	<b>83-22537-73</b>	<b>83-22537-73</b>	<b>83-22537-73</b>			
▲	Expansion Valve	<input type="checkbox"/> ✓	61-21922-16	61-21922-16	61-22465-03	61-22465-03	61-21922-19	61-21922-19	
▲	Check Valve	<input type="checkbox"/> ✓	61-21818-01	61-21818-01	61-21818-01	61-21818-01	61-21818-01	61-21818-01	
▲	Filter Drier	<input type="checkbox"/> ✓	V2A-083S	V2A-083S	V2A-083S	V2A-083S	V2A-083S	V2A-083S	
▲	Service Valve, Liquid	<input type="checkbox"/> ✓	61-21368-91	61-21368-91	61-21368-91	61-21368-91	61-21368-91	61-21368-91	
▲	Service Valve, Suction	<input type="checkbox"/> ✓	61-21368-92	61-21368-92	61-21368-93	61-21368-93	61-21368-93	61-21368-93	
▲	Valve Bracket Kit Includes: Brass Valve, Mounting Bracket Valve Core and Valve Cap	<input type="checkbox"/> ✓	61-22369-81	61-22369-81	61-22369-81	61-22369-81	61-22369-81	61-22369-81	
▲	Muffler	<input type="checkbox"/> ✓	83-21817-81	83-21817-81	83-21817-81	83-21817-81	83-21817-81	83-21817-81	
Item No.	Model Nominal Cooling Capacity Electrical Designation	Notes	[-]PGB	[-]PGB	[-]PGB	[-]PGB	[-]PGB	[-]PGB	[-]PGB
			036	036	037	042	042	043	048
			J	C	J	J	C	J	J
	<b>REFRIGERATION SPECIALITIES AND MISCELLANEOUS</b>								
▲	Accumulator - Vendor Number, Overall Length and Diameter.								
	<b>(BOLD) IDENTIFIES THE CURRENT ACCUMULATOR FOR THIS MODEL SIZE AT TIME OF PUBLICATION.</b>								
	PKR PA510-7-7, 11" X 5"	<input type="checkbox"/> ✓	83-22272-94	83-22272-94					
	PKR PA512-7-7, 13" X 5"	<input type="checkbox"/> ✓	<b>83-22272-95</b>	<b>83-22272-95</b>	<b>83-22272-95</b>	<b>83-22272-95</b>	<b>83-22272-95</b>	<b>83-22272-95</b>	<b>83-22272-95</b>
▲	Expansion Valve	<input type="checkbox"/> ✓	61-21922-20	61-21922-20	61-21922-20	61-21922-20	61-21922-20	61-21922-20	61-21922-21
▲	Check Valve	<input type="checkbox"/> ✓	61-21818-01	61-21818-01	61-21818-01	61-21818-01	61-21818-01	61-21818-01	61-21818-01
▲	Filter Drier	<input type="checkbox"/> ✓	V2A-083S	V2A-083S	V2A-083S	V2A-163S	V2A-163S	V2A-163S	V2A-163S
▲	Service Valve, Liquid	<input type="checkbox"/> ✓	61-21368-91	61-21368-91	61-21368-91	61-21368-91	61-21368-91	61-21368-91	61-21368-91
▲	Service Valve, Suction	<input type="checkbox"/> ✓	61-21368-94	61-21368-94	61-21368-94	61-21368-94	61-21368-94	61-21368-94	61-21368-94
▲	Valve Bracket Kit Includes: Brass Valve, Mounting Bracket Valve Core and Valve Cap	<input type="checkbox"/> ✓	61-22369-81	61-22369-81	61-22369-81	61-22369-81	61-22369-81	61-22369-81	61-22369-81
▲	Muffler	<input type="checkbox"/> ✓	83-21817-81	83-21817-81	83-21817-81	83-21817-81	83-21817-81	83-21817-81	83-21817-81



**R/R** RELIABLE REPLACEMENTS  
Fort Smith, Arkansas 72917-7010

# REPLACEMENT PARTS LIST

## MODEL [-]PGB REMOTE HEAT PUMP

**SERIES B**

**SIZE 018 THRU 061**

Item No.	Model Nominal Cooling Capacity Electrical Designation	Notes	[-]PGB	[-]PGB	[-]PGB	[-]PGB	[-]PGB	[-]PGB	[-]PGB
			048	048	049	060	060	060	061
			C	D	J	J	C	D	J
	<b>REFRIGERATION SPECIALITIES AND MISCELLANEOUS</b>								
▲	Accumulator - Vendor Number, Overall Length and Diameter.								
	<b>(BOLD) IDENTIFIES THE CURRENT ACCUMULATOR FOR THIS MODEL SIZE AT TIME OF PUBLICATION.</b>								
	PKR PA512-7-7, 13" X 5"	<input checked="" type="checkbox"/>	<b>83-22272-95</b>	<b>83-22272-95</b>	<b>83-22272-95</b>				
	PKR 089188-00, 17-1/4" X 5"	<input checked="" type="checkbox"/>				<b>83-22459-91</b>	<b>83-22459-91</b>	<b>83-22459-91</b>	<b>83-22459-91</b>
	VIR VA34-5SR, 14-1/4" X 3"	<input checked="" type="checkbox"/>				83-22537-73	83-22537-73	83-22537-73	83-22537-73
▲	Expansion Valve	<input checked="" type="checkbox"/>	61-21922-21	61-21922-21	61-21922-21	61-21922-22	61-21922-22	61-21922-22	61-21922-22
▲	Check Valve	<input checked="" type="checkbox"/>	61-21818-01	61-21818-01	61-21818-01	61-21818-01	61-21818-01	61-21818-01	61-21818-01
▲	Filter Drier	<input checked="" type="checkbox"/>	V2A-163S	V2A-163S	V2A-163S	V2A-163S	V2A-163S	V2A-163S	V2A-163S
▲	Service Valve, Liquid	<input checked="" type="checkbox"/>	61-21368-91	61-21368-91	61-21368-91	61-21368-91	61-21368-91	61-21368-91	61-21368-91
▲	Service Valve, Suction	<input checked="" type="checkbox"/>	61-21368-94	61-21368-94	61-21368-94	61-21368-94	61-21368-94	61-21368-94	61-21368-94
▲	Valve Bracket Kit Includes: Brass Valve, Mounting Bracket								
	Valve Core and Valve Cap	<input checked="" type="checkbox"/>	61-22369-81	61-22369-81	61-22369-81	61-22369-81	61-22369-81	61-22369-81	61-22369-81
▲	Muffler	<input checked="" type="checkbox"/>	83-21817-81	83-21817-81	83-21817-81	83-21817-81	83-21817-81	83-21817-81	83-21817-81

Item No.	Model	Notes	[-]PGB	[-]PGB	[-]PGB	[-]PGB	[-]PGB	[-]PGB	[-]PGB
			<b>ALL MODELS</b>						
	<b>ACCESSORY CONTROL KITS AND KIT PARTS</b>								
▲	Low Ambient Control Kit	<input checked="" type="checkbox"/>	[RXPZ-C01]						
	Low Ambient Switch	<input type="checkbox"/>	47-21465-02						
	Relay	<input type="checkbox"/>	42-19736-02						
	Adapter Tee	<input type="checkbox"/>	83-21457-01						
▲	Heat Pump Monitor	<input checked="" type="checkbox"/>	[RXPM-B01]						
	Relay	<input checked="" type="checkbox"/>	42-19423-04						
	Timer Control	<input type="checkbox"/>	47-22288-04						
	Pressure Switch	<input type="checkbox"/>	47-21144-01						
	Adapter Tee	<input type="checkbox"/>	83-21457-02						



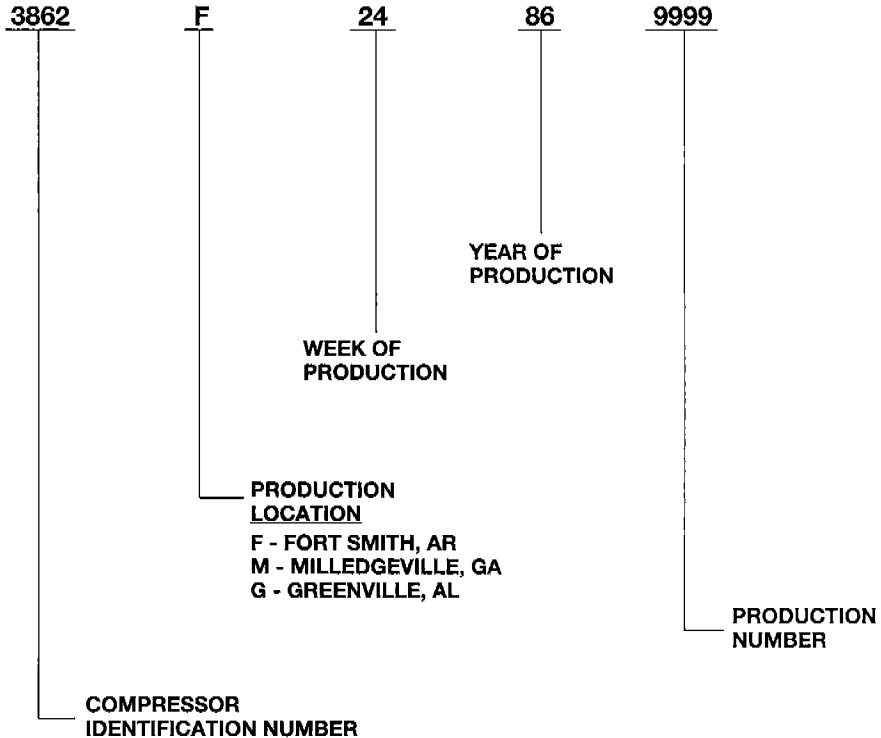
# REPLACEMENT PARTS LIST

## MODEL [-]PGB REMOTE HEAT PUMP

**SERIES B**

**SIZE 018 THRU 061**

### EXAMPLE OF SERIAL NUMBER



### NOTES:

**WHEN A PARTICULAR COLOR IS REQUIRED IT MUST BE SPECIFIED WHEN ORDERING.**

**☞** IMPORTANT INFORMATION. PLEASE READ CAREFULLY AND FOLLOW APPLICABLE NOTES.

**DNA** DOES NOT APPLY

THESE PARTS SHOULD BE STOCKED IN THE FIELD.

THIS IS A NEW REPLACEMENT PART AND SHOULD BE STOCKED IN THE FIELD.

**†** ALTERNATE PART USED IN PRODUCTION.

**☞** COILS, PANELS, AND OTHER MANUFACTURED PARTS ARE AVAILABLE WHILE UNIT IS IN PRODUCTION. AFTER UNIT IS OUT OF PRODUCTION ORDERING SUCH PARTS MUST BE CLEARED WITH THE PARTS DEPARTMENT AS PRICE AND AVAILABILITY WILL VARY. **WHEN A PARTICULAR COLOR IS REQUIRED IT MUST BE SPECIFIED WHEN ORDERING.**

**▲** PART NOT SHOWN ON PICTORIAL COVER PAGE.

**✓** THE REPLACEMENT PART IS EQUAL TO OR BETTER THAN THE ORIGINAL EQUIPMENT PART.

**⊙** CAUTION! IF YOUR UNIT DOES NOT CONTAIN THE COMPRESSOR SHOWN REFER TO

A) COMPRESSOR ID SHEETS

B) COMPRESSOR STANDARDIZATION MANUAL.

[ ] INFORMATION AND PART NUMBERS PLACED IN BRACKETS CALL ATTENTION TO SPECIAL/UNUSUAL CONDITIONS THAT EXIST AGAINST THOSE NUMBERS. IN THIS CASE THESE NUMBERS ARE FINISHED GOOD ITEMS AND MUST BE ORDERED THROUGH THE FINISHED GOOD DEPARTMENT.

1 THE MOTORS ON **ALL UNITS** BUILT BEFORE JUNE 1988 WERE MOUNTED BY THRU-BOLTS AND A MOUNTING BRACKET. THE REPLACEMENT MOTORS IN THE PARTS LIST DO NOT REQUIRE A MOUNTING BRACKET IF SHELL MOUNTED. ALL OTHER MOTORS **WILL REQUIRE** A MOUNTING BRACKET.

2 BOTH CONTACTORS WERE USED ON THE PGB-018. VERIFY POLES BEFORE ORDERING.

3 **CAUTION!** BOTH ALCO & RANCO REVERSING VALVES AND SOLENOID COILS HAVE BEEN USED IN PRODUCTION. HOWEVER, ONLY RANCO SHOULD BE USED WHEN MAKING A REPAIR. WHEN REPLACING AN ALCO REVERSING VALVE WITH A RANCO, THE RANCO SOLENOID COILS MUST ALSO BE ORDERED.